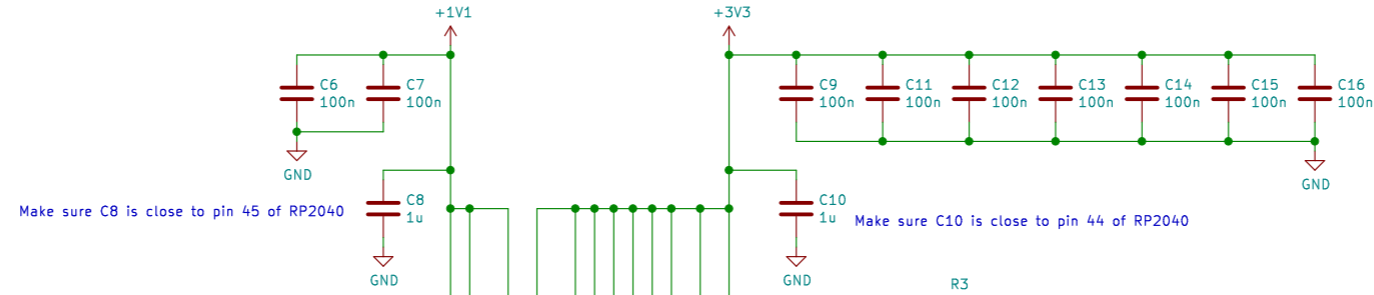
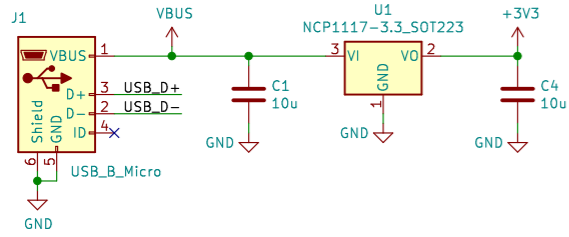
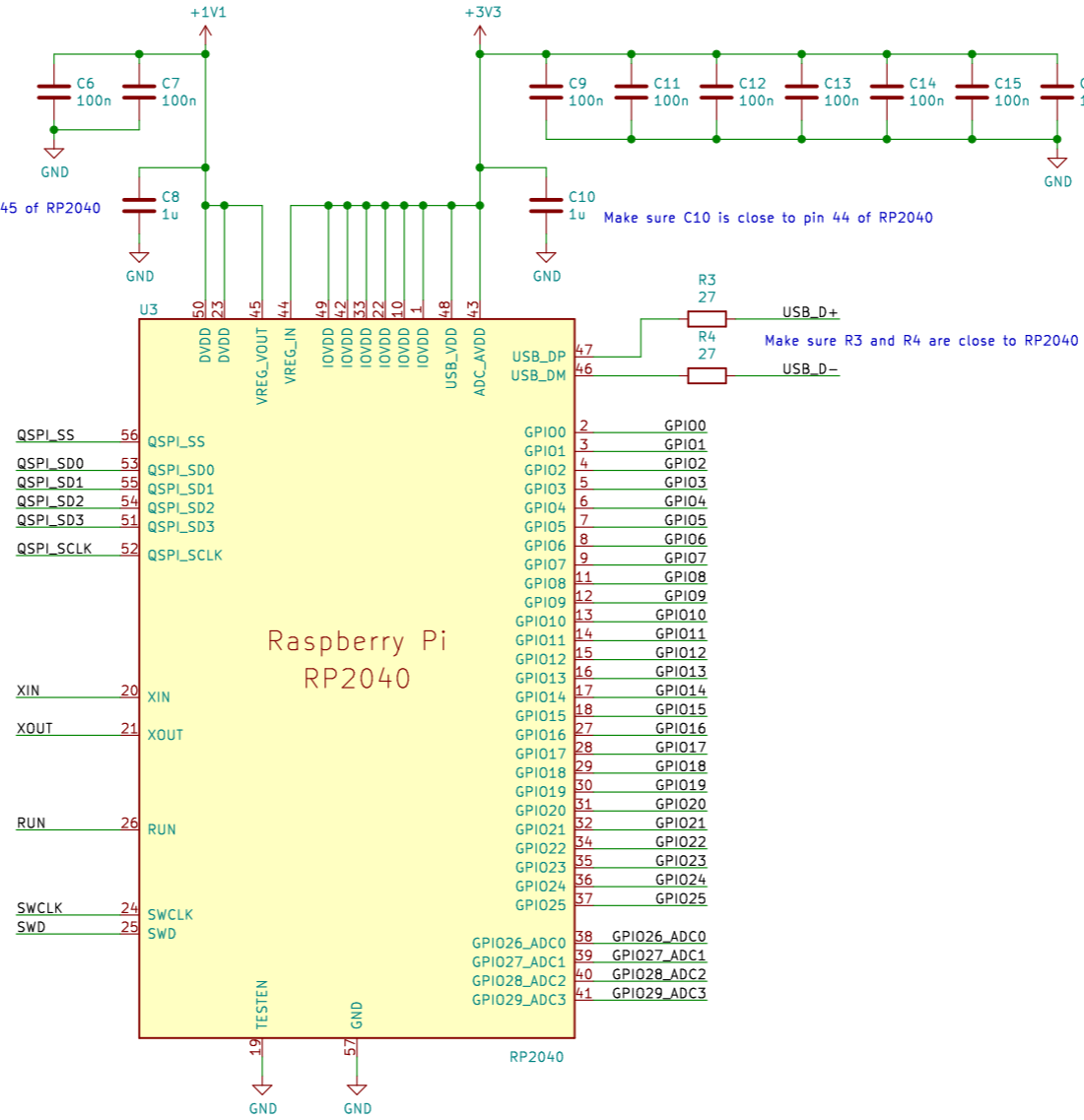
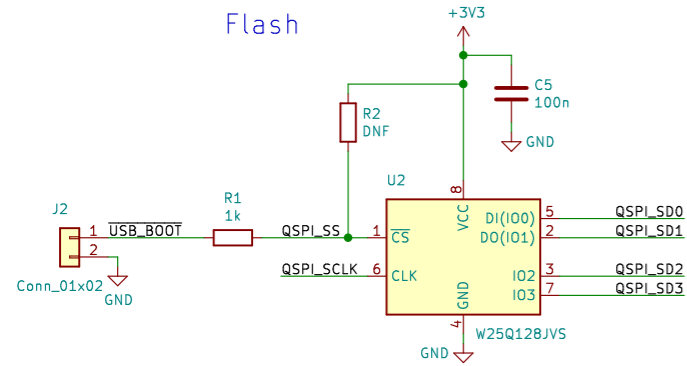


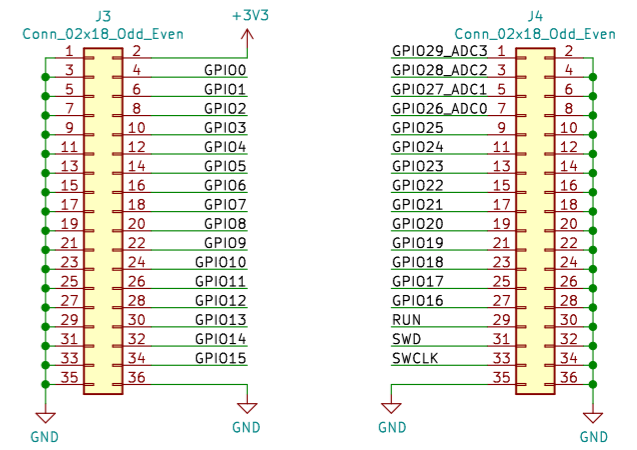
Power



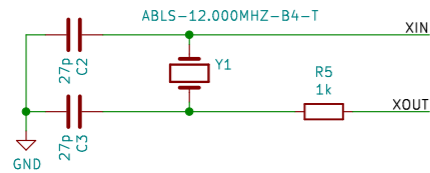
Flash



I/Os



Crystal



- H1 MountingHole
- H2 MountingHole
- H3 MountingHole
- H4 MountingHole

Raspberry Pi (Trading) Ltd

Sheet: /
File: RP2040_minimal.sch

Title: RP2040 Minimal Design Example

Size: A3 Date: 2020-12-18
KiCad E.D.A. kicad (5.1.6)-1

Rev: REV1
Id: 1/1